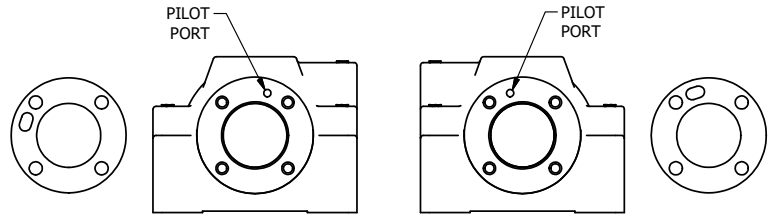
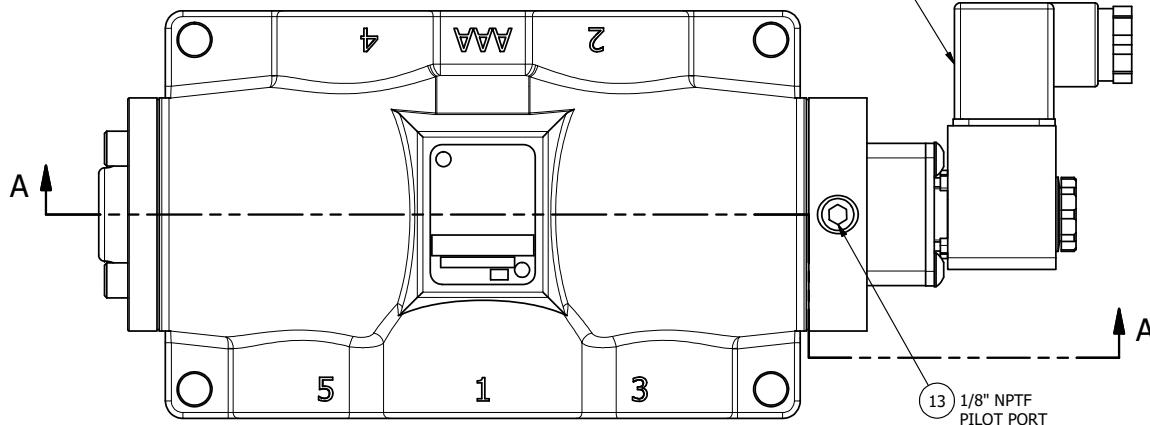


4 | 3 | 2 | 1

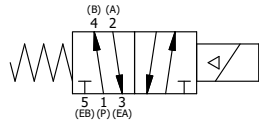
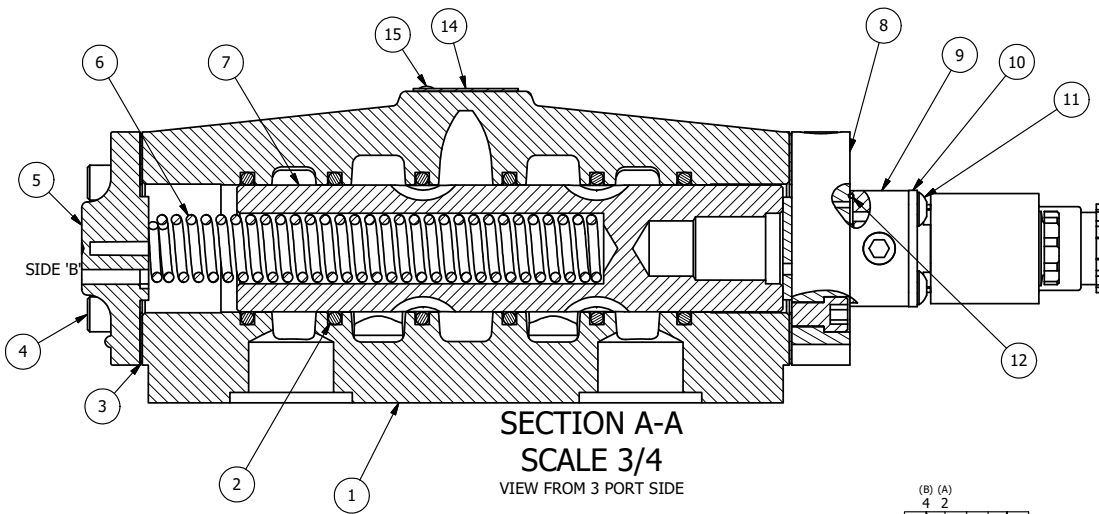
3/8" CORD GRIP DIN CAP INCLUDED  
FORM A, ACC. TO EN 175301-803,  
ISO 4400



POSITION GASKET ON END OF VALVE SO  
GASKET COVERS PILOT HOLE, SIDE 'B' ONLY

ALIGN PILOT AND HOLE IN GASKET, SIDE 'A' ONLY  
FOR EXTERNAL PILOT OPERATION - ROTATE THE  
ROUND ALUMINUM ADAPTOR 180 DEGREES. REMOVE  
1/8" NPTF PLUG AND SUPPLY 50-150 PSI TO  
1/8" NPTF PILOT PORT IN ADAPTOR.

NOTES:  
1) ALWAYS GIVE VALVE MODEL AND PART NUMBER WHEN ORDERING PARTS.



16	1	SPK-8	KIT - SUBPLATE MOUNT, 1" SUBPLATE VALVES
15	2	V-212	SCREW, #2 X 3/16 DRIVE, TYPE U, OVAL HEAD, STAINLESS STEEL
14	1	AN-114	NAMEPLATE, BLANK, FOR VALVES WITH SPRINGS OR DETENTS
13	1	V-19	PLUG, SOCKET PIPE 1/8" NPT (#601-3 PITTSBURG PLUG PART #.)
12	1	EMG3	GASKET - END MOUNT SOLENOID, BUNA-N, 1/4" & 3/8" VALVES
11	4	V-584	SCREW, 10-24 X 1, BUTTON HEAD SOCKET CAP WITH MICROSPHERE APPLIED TO THREADS.
10	1	SEC3-7	PLATE, RE-INFORCEMENT, SOLENOID, STAMPED, 304 STAINLESS
9	1	V-564	SYSTEM 8 INTRINSICALLY SAFE SOLENOID OPERATOR.
8	1	SSA48-1E	ADAPTOR, END MNT SOLENOID, 1/2", 3/4" & 1" VALVE
7	1	S8	SPOOL - STANDARD, 2 POS, CLSD CTR, 3/4" & 1" VALVE
6	1	CS8	SPRING - RETURN, 3/4" & 1" VALVES
5	1	PEC48-3	END CAP, VENTED, 380 AL, 1/2", 3/4" & 1" VALVES
4	8	V-46	SCREW, 1/4-20 X 3/4, SOCKET HEAD CAP
3	2	ECG48	GASKET - END CAP, 1/2", 3/4" & 1" VALVE
2	6	V-30	O-RING, BUNA-N, 70 DURO, AS-220, (REF 1-3/8 X 1-5/8 X 1/8), 3/4" & 1" VALVES
1	1	BP8-1	BODY, 1" SUBPLATE, UPPER PILOTS, ANODIZED
FLG	QTY	PART NO	DESCRIPTION

LIMITS ON DIMENSIONS  
UNLESS  
OTHERWISE SPECIFIED

2-PL DECIMAL ± .01  
3-PL DECIMAL ± .005  
FRACTIONAL ± 1/64  
ANGULAR ± 1/2°



DRAWN: RMckenna DATE: 3/1/2015

CHECKED: KWaite DATE: 6/1/2015

SCALE: 1 : 1 SHEET: 1 OF 1

RELEASED: HWomack DATE: 6/1/2015

TITLE:  
1" SUBPLATE, SNGL SOL, 2 POS,  
SPR RTRN, INTRINSICALLY SAFE,  
24VDC

PART NO.:  
E808PA 24VDC

P:\Engineering\Product Valve Assembly\Standard ISO DWG\E808PA 24VDC.dwg

THE INFORMATION CONTAINED WITHIN THIS DOCUMENT IS PROPRIETARY TO AAA PRODUCTS AND MAY NOT BE DISCLOSED WITHOUT PRIOR WRITTEN CONSENT

4 | 3 | 2 | 1